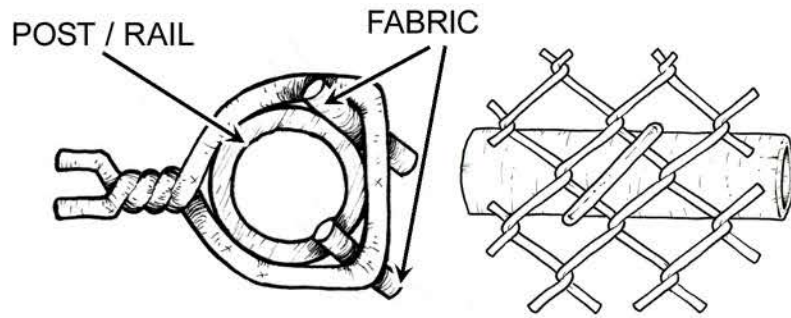
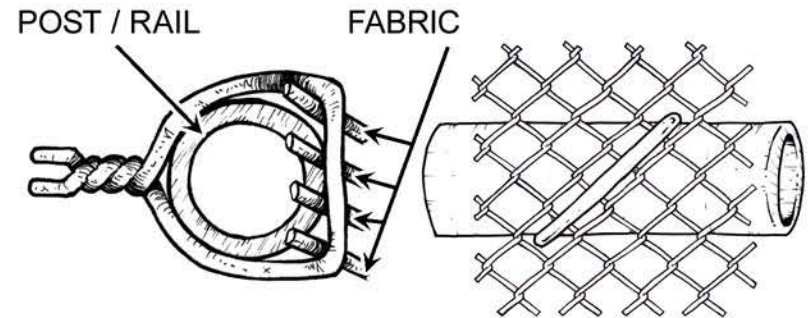


# TWIST TIGHT TIES



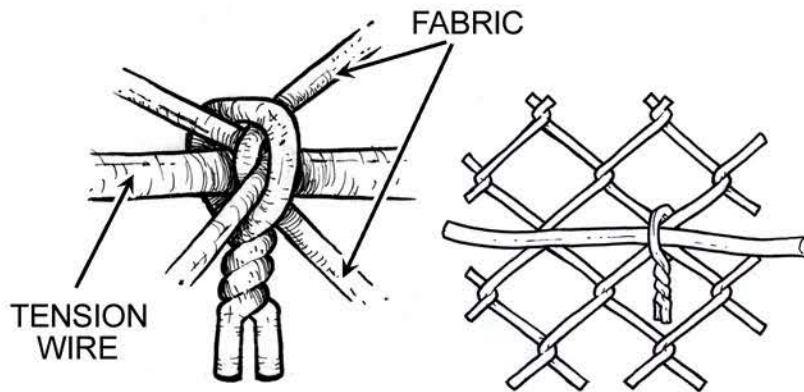
**STANDARD 2-INCH MESH FENCE**

5/8", 1 1/8", 2 3/8", 2 7/8", 3 1/2", 4" Posts



**MINI-MESH FENCE**

5/8", 1 1/8", 2 3/8", 2 7/8", 3 1/2", 4" Posts



**TENSION WIRE TO FENCE**

**NOTE:** The Easy Twist Tool may break off one or both tails of the tie. It is an acceptable practice to allow a tie with or without a tail.

<b>TITLE: TWIST TIGHT TIES</b>	
DESCRIPTION:	
PROJECT:	
OWNER/GENERAL CONTRACTOR:	
SUBMITTED BY:	
APPROVED BY:	
DRAWING NO:	DATE: